



**DESCRIPTION**

Large wallpack for 250 watts HPS or Metal Halide. All aluminum precision die cast construction with tempered glass refractor. Lamp included.

**SPECIFICATIONS**

**Finish:**

Chip and fade resistant metallic epoxy powder coating.

**Housing:**

Die cast aluminum 1/2" NPS tapped holes top, both sides and back for conduit or photocontrol. Hinged refractor frame, Continuous silicone rubber gasket.

**Reflector:**

Specular anodized aluminum, removable for installation. Symmetrical light pattern maximizes distance between fixtures.

**Quad Tap:**

Fixture works with 120, 208, 240 and 277 volts

**Listing:**

Suitable for wet locations. HID fixtures can be wired with 90° C supply wiring if supply wires are routed 3" away from the ballast.

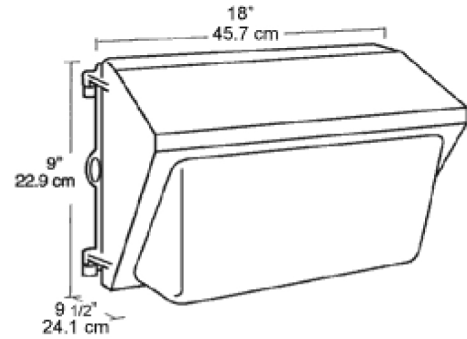
**Color:**

Bronze

**Weight:**

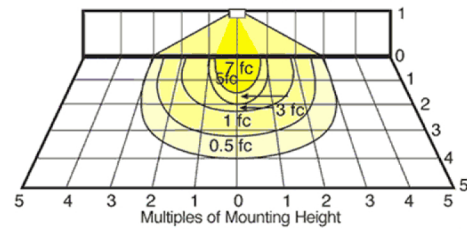
26.5

**DIMENSIONS**



**PHOTOMETRIC**

250w HPS @ 16' Mounting Height



| Mounting Height | Multiplier |
|-----------------|------------|
| 8'              | 4          |
| 10'             | 2.6        |
| 12'             | 1.8        |
| 16'             | 1.0        |
| 20'             | .6         |
| 24'             | .5         |
| 32'             | .3         |

| Watts | Multiplier | HPS | vMH |
|-------|------------|-----|-----|
| 200PS |            | .7  |     |
| 250   | 1.0        | .7  |     |
| 250PS |            | .9  |     |
| 320PS |            | 1.0 |     |
| 350PS |            | 1.1 |     |
| 400   | 1.8        | 1.2 |     |
| 400PS |            | 1.4 |     |

**ORDERING INFORMATION**

Metal Halide or High Pressure Sodium  
Lamp supplied with fixture

| Total Watts | Lamp Type | Lamp Base | Ballast    | Starting Amps/ Operating Amps |         |         |         | Input Watts | LAMP ANSI | Initial Lumens | Lamp Hours |
|-------------|-----------|-----------|------------|-------------------------------|---------|---------|---------|-------------|-----------|----------------|------------|
|             |           |           |            | 120V                          | 208V    | 240V    | 277V    |             |           |                |            |
| 250         | ED28      | Mogul     | CWA-HPF QT | 2.2/2.5                       | 1.3/1.5 | 1.1/1.3 | 1.0/1.3 | 295         | M58       | 21000          | 10000      |

**Factory Installed Options**

Add suffix to Catalog Number

- Tamperproof screws (/TP)
- Swivel Photocontrol (/PCS)
- Single fusing for 120 and 277 volt (/F)