



Specification Sheet : RPEMGCYLED-Mini

Project: _____ Type: _____ Model No.: _____

Remarks: _____

Specification:

Lamp Type	LED
Lamp Wattage	120VAC, 60Hz, 0.0898A, 0.56W 277VAC, 60Hz, 0.00736A, 0.54W
Emergency Operation	90 minutes

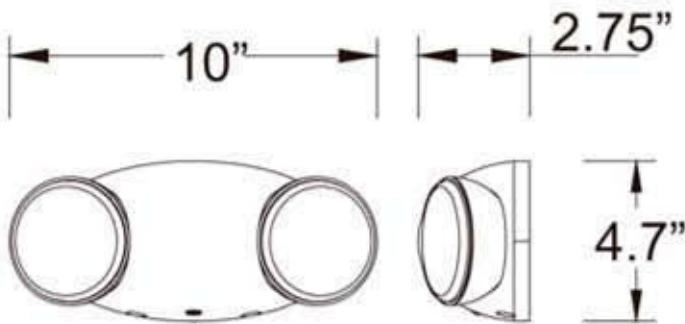
Model:



Listings & Certification:



Mechanical Data:



Standard Features:

- Push-to-test Switch
- LED Charge Indicator
- Ni-Cad Premium Battery
- Dual Voltage 120V/277V
- Specification Grade Design
- Universal Mount
- Long Life Energy Saving LED light source
- Fully adjustable glare free lighting heads
- Universal mounting pattern knockout in backplate for J-box mounting
- Snap fit construction speeds installation.

Ordering Information:

Base Model No.	Case Color	Options
RPEMGCYLED MINI	W - White	H - High Lumen

Build part number by adding Base Model No., and Case Color, and if desired option code.

Example: