

Project:	
Type:	
Catalog #:	



Shown with standard trunnion mount

STANDARD



The LEDGFXL series is a group of architectural LED area luminaires designed to illuminate parking areas, pathways, building facades, loading docks, and a wide variety of other large, general site lighting applications. Multiple mounting options make the LEDGFXL a versatile luminaire for flood lighting, pole-, ground- and wall-mounted area lighting, and other outdoor lighting requirements.

FEATURES

- Available in 3000k (warm white), 4000K (neutral white) on special order. In STOCK, only in 5000K (cool white).
- Long-life LEDs provide 69,000 hours of operation with at least 70% of initial lumen output (L₇₀).
- Standard optic provides an IES roadway type V distribution, or a 7V (vertical) x 7H (horizontal) NEMA floodlight distribution.
- Type III models deliver 9,257 lumens & 116 lumens per watt (LPW) at 3000k; 10,307 lumens & 129 LPW at 4000k; and 10,542 lumens and 132 LPW at 5000k.
- Universal 120-277 AC voltage (50-60Hz) is standard.
- Power factor > 0.90.
- Total harmonic distortion < 20%.
- Color rendering index > 80.
- Optional glare shields (full & half) & wire guards are available.
- Die cast aluminum housing with durable, dark bronze powder coat finish, and a heat-resistant polycarbonate lens.
- Wireway enclosure is sealed with a water-tight, silicon rubber gasket.
- Effective projected areas (EPA's) are:
 - Front = 0.38 square feet
 - Side = 0.30 square feet
 - Face = 1.04 square feet
- Threaded receptacle (½" NPS) for photocell. Optional arms and slip-fitters provide additional photocell mounting options.
- Easy installation in new construction or retrofit applications.

WARRANTY & LISTINGS

- cULus listed for wet locations (-30°C to 40°C / -22°F to 104°F)
- IP65 rated.
- DLC standard approved
- Complies with FCC Part 15, Class B.
- Complies with EN61000-4-5, surge immunity (2kV).
- 5-year warranty on all electronics and housing.

MOUNTING OPTIONS

- Trunnion mount is standard.
- Slip-fitter mount provides attachment to poles (2 ¾" O.D. tenon).
- Steel arm mount provides secure attachment to flat surfaces.
- Yoke mount models are available by special order.



Steel Arm Mount Option

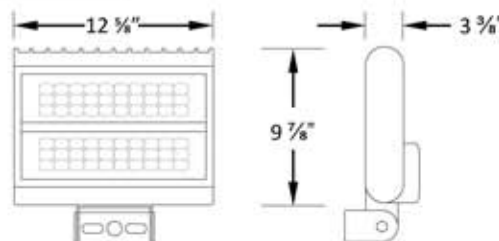


Slip-Fitter Mount Option



Yoke Mount Option

DIMENSIONS



Weight: 9.6 lb.

* Contact factory for other color temperatures and lumen packages.

**L₇₀ hours are IES TM-21-11 calculated hours.

ORDERING INFORMATION

Examples:

Model	Mounting Type	Luminaire Watts	Color Temp.	Distribution Type*	Luminaire Lumens	Lumens / Watt	Options* (Order Separately)
LEDGFXL80UNV-XXX	Trunnion*	80	3K = 3000k	T3 = Type III	9,257	116	SF = Slip-Fitter Mount BRKT = Steel Arm Mount FGS = Full Glare Shield HGS = Half Glare Shield WG = Wire Guard
	SF=Slip Fitter BRKT=Steel arm mount		4K = 4000k	T3 = Type II	10,307	129	
			5K = 5000k	T3 = Type III	10,542	132	
	Y = Yoke SpecialOrder	Special order	3K = 3000k	Type V	9,725	122	
			4K = 4000k	Type V	10,033	125	
			5K = 5000k	Type V	10,342	129	

* Note: For Slip-Fitter or Steel Arm mounting, order a luminaire with the standard Trunnion mount installed (), and either the Slip-Fitter (SF) or Steel Arm (BRKT). The Slip-Fitter and Steel Arm mounts are shipped in separate cartons than the luminaire, and are field-installed after removing the standard Trunnion mount.

** Note: Type V distribution is standard, and requires no order suffix (see example above). For NEMA flood 7H x 7V distributions, order the Type V option.

ELECTRICAL DATA

Model	Color Temperature	CRI ¹	Luminaire Lumens	Luminaire Watts	Lumens Per Watt	Input Voltage ²	Input Current (A)			Power Factor	THD ³	L ₇₀ Hours ⁴
							120V	240V	277V			
SO SO LEDGFXL80UNV-50K	3000k	> 80	9,257	80	116	120-277	0.67	0.33	0.29	> 90%	< 20%	69,000
	4000k	> 80	10,307	80	129	120-277	0.67	0.33	0.29	> 90%	< 20%	69,000
	5000k	> 80	10,542	80	132	120-277	0.67	0.33	0.29	> 90%	< 20%	69,000
	3000k	> 80	9,725	80	122	120-277	0.67	0.33	0.29	> 90%	< 20%	69,000
	4000k	> 80	10,033	80	125	120-277	0.67	0.33	0.29	> 90%	< 20%	69,000
	5000k	> 80	10,342	80	129	120-277	0.67	0.33	0.29	> 90%	< 20%	69,000

¹ Color rendering index.

² All 50-60Hz.

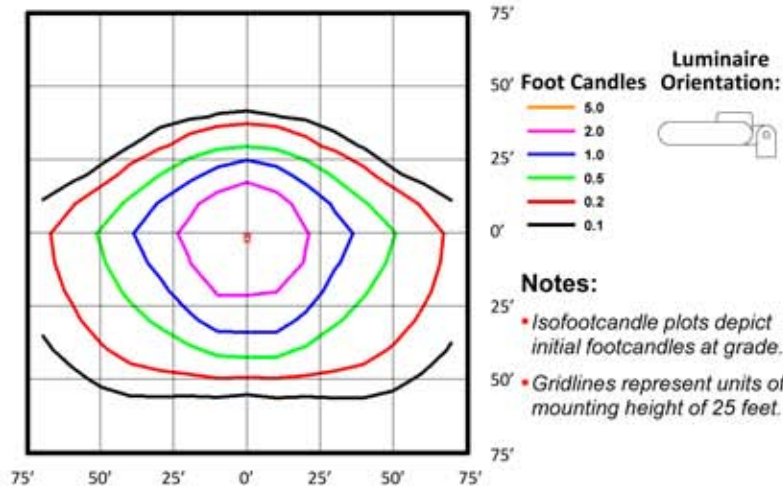
³ Total harmonic distortion.

⁴ L₇₀ refers to the number of hours at which lumen output declines to 70% of the initial level. L₇₀ hours are IES TM-21-11 calculated hours.

SO=Special Order

PHOTOMETRIC DATA

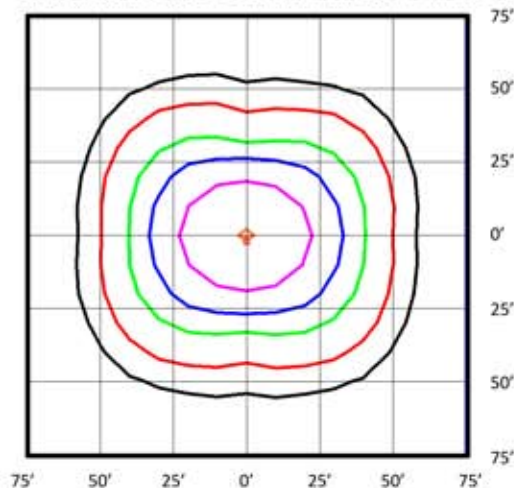
LEDGFXL80UNV-50K (10,542 Lumens, Type III [T3] Distribution)



BUG Rating: B3-U2-G2

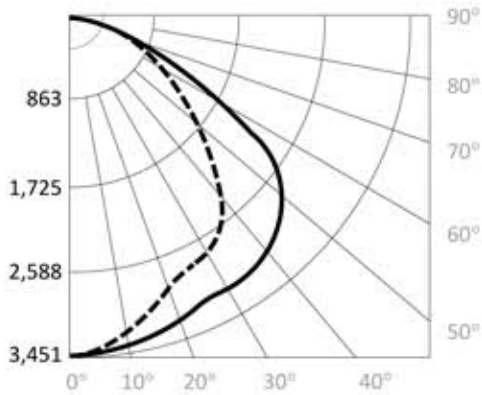
Zone	Lumens	%
FL - Front - Low (0-30)	1,303	12%
FM - Front - Medium (30-60)	3,686	35%
FH - Front - High (60-80)	1,585	15%
FVH - Front - Very High (80-90)	81	1%
Total Forward Light	6,655	63%
BL - Back - Low (0-30)	1,255	12%
BM - Back - Medium (30-60)	2,125	20%
BH - Back - High (60-80)	464	4%
BVH - Back - Very High (80-90)	22	0%
Total Back Light	3,866	37%
UL - Up Light - Low (90-100)	1	0%
UH - Up Light - High (100-180)	21	0%
Total Up Light	22	0%
Total Lumens	10,542	100%

LEDGFXL80UNV-50K-TYPE5 (10,342 Lumens, Type V Distribution)



BUG Rating: B3-U2-G2

Zone	Lumens	%
FL - Front - Low (0-30)	1,269	12%
FM - Front - Medium (30-60)	2,860	28%
FH - Front - High (60-80)	947	9%
FVH - Front - Very High (80-90)	117	1%
Total Forward Light	5,193	50%
BL - Back - Low (0-30)	1,273	12%
BM - Back - Medium (30-60)	2,810	27%
BH - Back - High (60-80)	931	9%
BVH - Back - Very High (80-90)	112	1%
Total Back Light	5,126	50%
UL - Up Light - Low (90-100)	1	0%
UH - Up Light - High (100-180)	22	0%
Total Up Light	23	0%
Total Lumens	10,342	100%



Maximum Candela = 3,451

— Horizontal
- - - Vertical

NEMA Floodlight Type Data

Field Angles:

- Horizontal 171°
- Vertical 162°

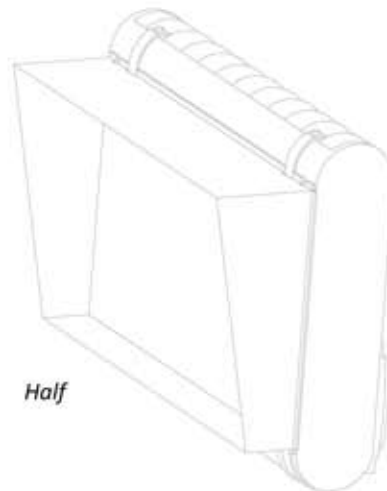
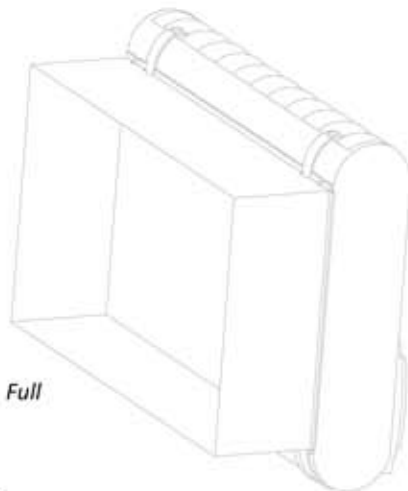
NEMA Type:

- Horizontal 7H
- Vertical 7V

Luminaire Orientation:



Shields



Wire Guards

