



Vandal Resistant Entry Light "EL"

VANDAL RESISTANT

FEATURES & APPLICATIONS

Features:

- Die Cast Aluminum Housing
- Galvanized Back Pan
- Textured Black & White, Bronze & White or All White Powder Coat Finish
- Shallow Prismatic Polycarbonate Lens with Gasket
- Mount Directly Over a Recessed Electrical Box
- CSA Listed for Wet Locations
- Custom Colors Available
- Lamp Included

Applications:

- Hotel & Motel Door Lights
- Public Buildings
- Public Restrooms
- Pedestrian Walkways
- Rest Areas
- Service Station
- Car Washes

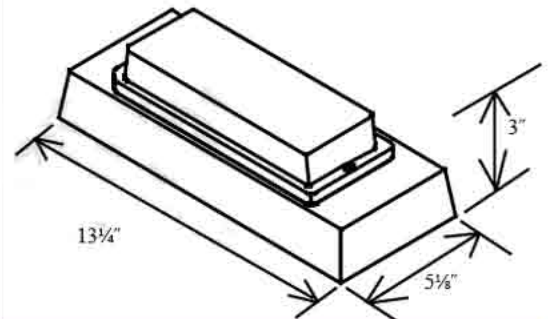
Accessories Sold Separately

- Lamps
- Replacement "vandalier" lens



EL213

DIMENSIONS

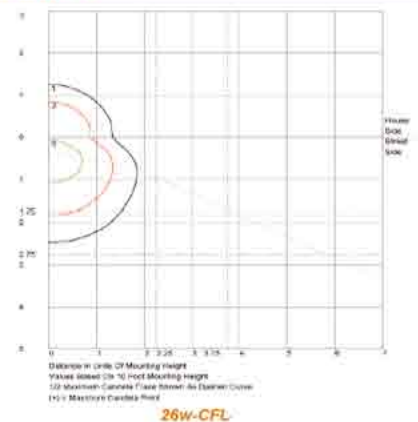
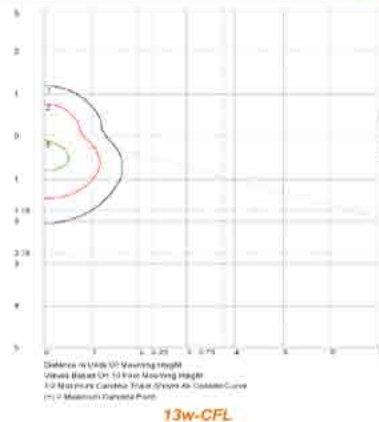


ORDER INFORMATION

Typical Ordering Number:
EL213-120-L

1. Fixture Type Vandal Resistant Entry Light: EL	2. Wattage/Lamp Compact Fluorescent: 13w-CFL 2PL13-CFL	3. Voltage 120V:: 120	4. Options LAMPED: L

PHOTOMETRICS



Specifications subject to change without notice.