

"CN" T8 1-Light Low-Profile Strip



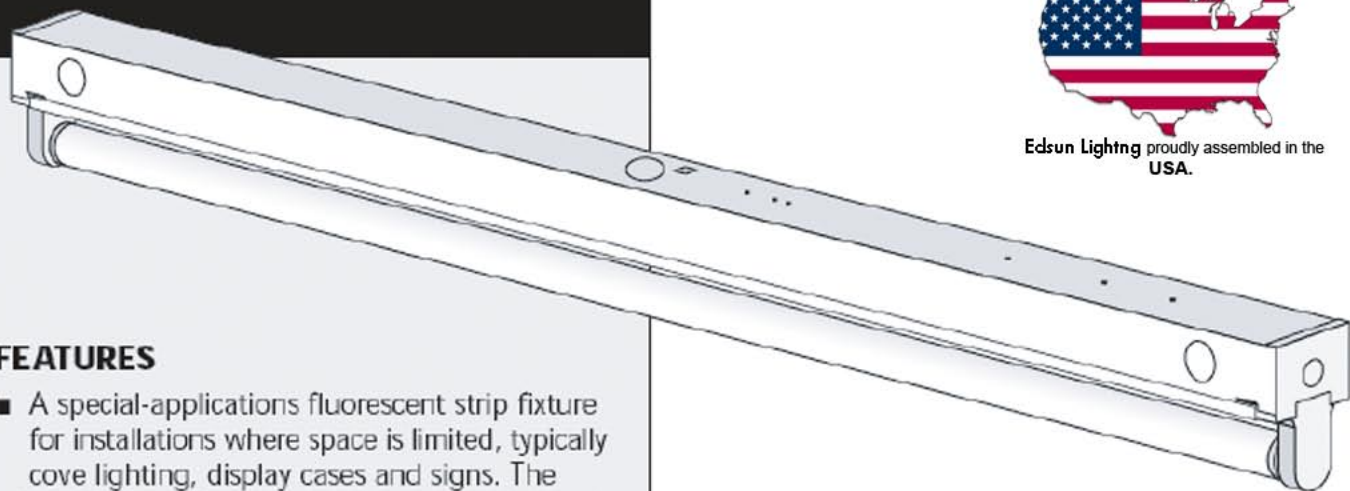
569 W. 17 St., Hialeah, FL 33010-2412
Ph.: (305)888-8849 • Fax: (305)883-0005
email: sales@edsunlighting.com
www.edsunlighting.com

"CN"

Narrow channels



Edsun Lighting proudly assembled in the
USA.



FEATURES

- A special-applications fluorescent strip fixture for installations where space is limited, typically cove lighting, display cases and signs. The "CN" T8 Low Profile Strip features a significantly lower *and* narrower profile than conventional 1-light T8 strips.
- Uses the latest T8 ballasts and lamps.
- Range of fixture lengths provides application flexibility.
- Designed for ceiling mount, wall mount or chain hanging.
- Knockouts provided for convenience outlet and pull-switch.

SPECIFICATIONS

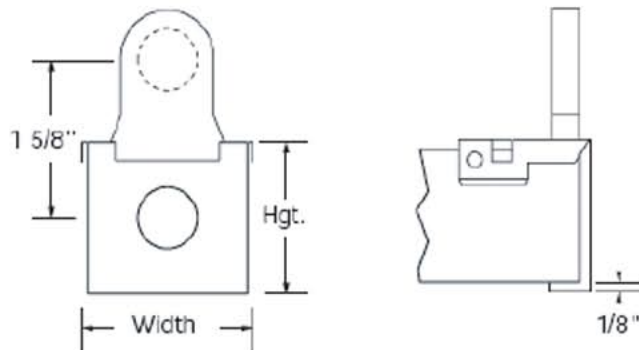
Construction: Die-formed heavy gauge cold-rolled steel. All close-tolerance snap-fit construction. Numerous KOs for ease of installation and configuration. End plates available with Double D or 7/8" KOs for continuous mounting.

Channel/Wireway Cover: Secures with two (2) #8 x 5/16 sheet metal screws.

Mounting: Fixtures designed with 1/8" standoffs (see side view drawing) for surface mounting as individual units or in continuous rows.

Finish: Phosphate-coated baked-white enamel with high reflectivity.

Ballasts: Housing has hole patterns to accept ballasts of the following lengths: 5 7/16", 5 15/16", 6 7/16", 8 7/16", 9 13/16" and 14". Custom patterns available by special order.



End View	Width	Hgt.
Body Only:	1 5/8"	1 3/8"
W/End and Cover:	1 13/16"	1 9/16"

Side View

ORDERING INFORMATION

Catalog No.	Lamp Config.	Length
CN17	—	24"
CN25	—	36"
CN32	—	48"
CN40	—	60"



NOTES

Dimensions subject to change without notice.