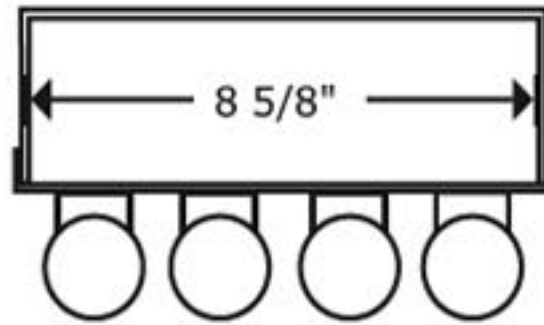


# Strip Fixture C4 Series



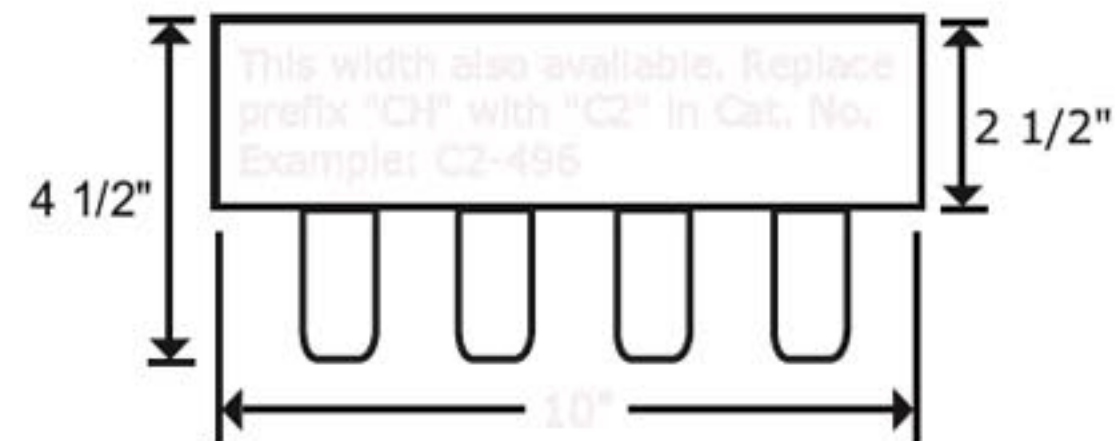
T12 • T8 • T5



Edsun Lighting proudly assembled in the  
USA.

## Application

A rugged extra wide channel fixture.



## FEATURES & SPECIFICATIONS

### Attributes

Most rigid design ever made! Channel grooved top and bottom with embossment down the middle of entire side! Ballast cover embossed along its entire length! Available in 2-, 3- or 4-lite - rapid start, 430 MA slimline and high output. Combination end-plate-and-coupler firmly aligns channels for continuous row mounting saves installation times! 4-Ft. ballast covers "snap on" -require no tools for fasteners!

### Construction

The housing to be die formed of 20 gauge steel for maximum rigidity and uniformity. Reflector covers on 8 ft., and 6 ft. units to be fabricated in two sections for maximum installation and maintenance ease. The 4 ft. units to have one 4ft. cover. All reflector covers to be attached without tools to the back housing. Socket mounting plates are of 18 gauge steel designed for snap-in installation in die-cut slots in housing.

Combination end-couplers to be provided, which when used as a coupler, shall permit the use of the housing as a continuous wireway.

### Mounting

Units may be surface or pendant mounted, individually or in continuous rows. For continuous back to back socket mounting, combination end couplers shall be inserted into ends of adjoining units to act as a sleeve coupling and to permit use of housing as a continuous wireway.

### Electrical

All units to be wired with High Power Factor U.L. Approved series ballasts for 110-125 volt, 60 cycle, A.C. operation. Sockets to be single pin or double recessed contact spring loaded pedestal type, as required.

### Listing

Fixtures conform to Underwriters' Laboratories standards for production and are carefully tested prior to packing.

Edsun Lighting Fixture Mfg.

569 West 17 St., Hialeah, FL USA 33010-2412 • (305) 888-8849 • Fax: (305) 883-0005 • www.edsunlighting.com  
email: edsunlighting@sprynet.com