

LEDBHHA8UNV-XXK 8" Architectural Downlight



Project:	
Type:	
Catalog #:	

STANDARD



FEATURES

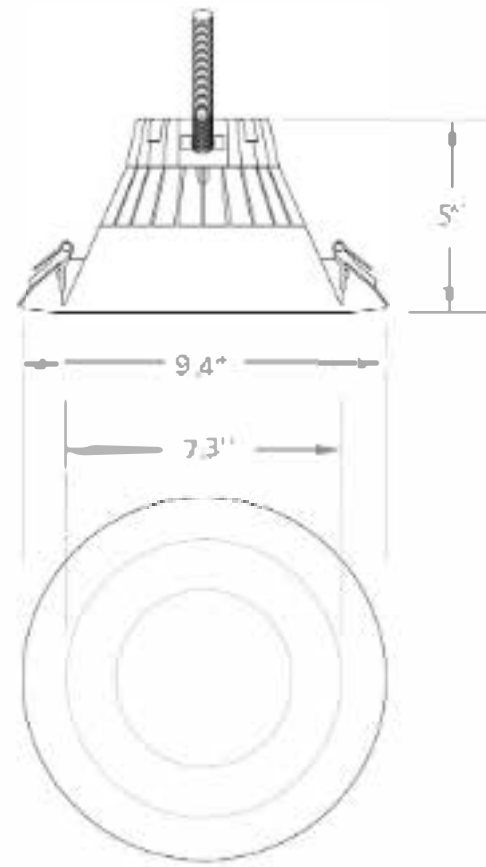
- Available in 3500k (warm/neutral white), 4000k (cool white) and 5000k (daylight) color temperatures.
- Long life LEDs provide at least 70% of initial lumen output (L70) for 50,000 hours of operation.
- Color rendering index (Ra) > 80.
- Provides 2,300 nominal lumens.
- 24 nominal watts.
- Universal 120-277 AC voltage (50-60Hz) is standard.
- Power factor > 0.90.
- Total harmonic distortion < 20%.
- 0-10V DC dimming is standard.
- Aluminum housing with white baffle trim.
- Easy installation in new construction or retrofit applications. Flexible conduit attaches to junction box.
- Compatible with 2.06" ceiling cut outs and 8" mounting frames.
- Type IC, inherently protected. Access above ceiling required.
- This device is not intended for use in emergency applications.

WARRANTY & LISTINGS

- eULus listed for wet locations.
 - Compatible for new construction and retrofit applications.
 - Complies with FCC Part 15, Class A.
 - Complies with EN61000-4-5 surge protection (line-neutral, 1kV; line-neutral-ground, 2.5kV).
 - Complies with RoHS (Restriction on Hazardous Substances) requirements.
 - 5-year warranty of all electronics and housing.
- Contact factory for other color temperatures and beam spreads.
 • 170 Bourque Way, #2111, Madison, WI 53706



DIMENSIONS Color & Wattage Selectable



Weight: 1.9 lbs.

ORDERING INFORMATION

EXAMPLE: LEDBHHA8-UNV-CCT

Series	Lumen Output	Color Temperature		Accessories: (Order Separately)
230	2,300	35K	3500k	Mounting frame with j-box
		4K	4000k	
		5K	5000k	