

LEDHHRF4 Economy 4" Recessed LED Retrofit Module



Project:	
Type:	
Catalog #:	

Also Available in 6"



STANDARD



APPLICATIONS

Economy 4" Recessed downlight retrofit solution with integrated LED power supply and thermal management system combined in a single compact unit designed to fit most standard 4" recessed cans.

ILLUMINATION

- Long Life LEDs with up to 50,000 hours at 70% lumen maintenance.
- Uses 1.18W high power, high quality LEDs.
- Choice of 3000K (±175), 4000K (±275) or 5000K (±283) color temperature with 80 CRI.
- Produces 550-610 lumens output from luminaire.

ELECTRICAL

- Down to 10% dimmable with most dimmers.
- Save 75% compared to incandescent sources.
- Built-in LED driver.
- Includes Socket Adapter.
- Voltage: 120V, 60Hz.
- Operation temperature of -20°C- 40°C (-4°F- 104°F).
- Power Consumption: 8 Watts.

MOUNTING

- Easy installation with integral clips.
- No tools required for installation.

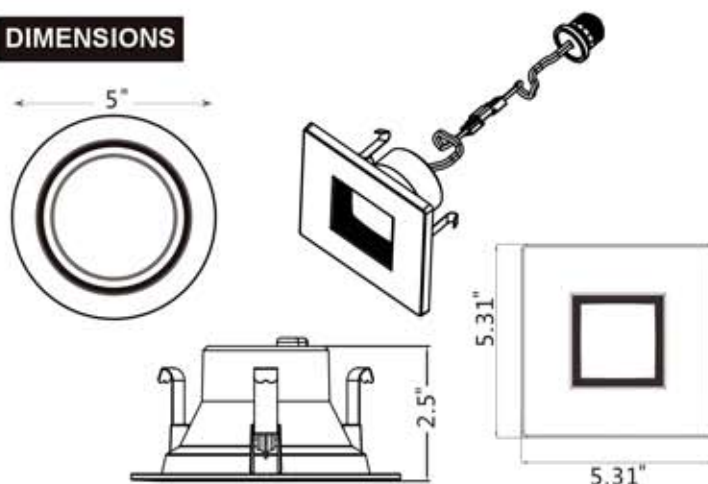
HOUSING Color-Wattage Selectable • 120V Only

- Compatible with most 4" recessed cans.
- Durable thermoplastic construction.
- E26 medium screw-base Edison connector provides easy retrofit of incandescent housings.
- Compatible with insulated, non-insulated and air-tight ceilings.
- 4" square baffle snap-in (option).

WARRANTY/LISTING

- Tested in accordance with IESNA LM79 & LM80.
- ETL Listed for wet locations.
- Energy Star qualified.
- Passes FCC Class B.
- Five year warranty on all electronics and housing.

DIMENSIONS



ORDERING INFORMATION

MODEL			KELVIN RATING		LUMENS
LEDHHRF4-30K	BW	White Baffle	3K	3000K	570
LEDHHRF4-40K	BW	White Baffle	4K	4000K	590
LEDHHRF4-50K	BW	White Baffle	5K	5000K	610