

LEDBHH4 or 6 4" & 6" Flat Round Panel



Project:	
Type:	
Catalog #:	

STANDARD FEATURES



Energy efficient LED Flat Round Panel provide quick and easy installation with no can required. Durable powder-coated diecast trim with enclosed J-box is attached with a water-tight connection. Pre-installed plastic clips for easy installation. The Round LED Flat Retrofit Kit can be used in new construction applications as a can-less downlight.

FEATURES

- Available in 4000k (neutral white) and 5000k (cool white) color temperatures.*
- Long-life LEDs provide 50,000 hours of operation with at least 70% of initial lumen output (L₇₀).**
- Universal 120-V AC voltage (50-60Hz) is standard.
- Standards for damp locations and insulated ceilings (IC-rated). Small, lightweight J-box standard.
- Dimmable down to 5% with most market dimmers (120V only).
- Power factor > 0.90.
- Total harmonic distortion < 20%.
- Color rendering index > 90.
- Painted steel housing.

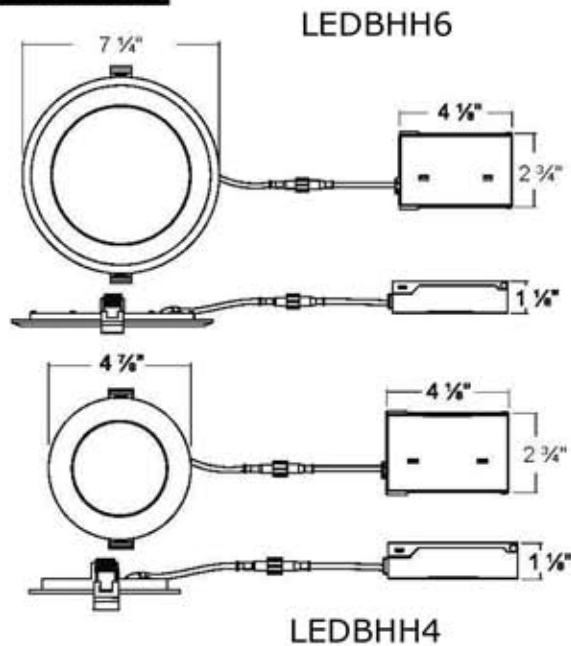
* Contact factory for other color temperatures and lumen packages.
 ** L₇₀ hours are IES TM-21-11 calculated hours.

WARRANTY & LISTINGS

- locations. Suitable for ambient temperatures from -20°C to 50°C (-4°F to 122°F).
- Complies with RoHS (Restriction on Hazardous Substances) requirements.
- Complies with FCC Part 15, class A.
- 5-year warranty of all electronics and housing.



DIMENSIONS



Color and Wattage Selectable • 120V Only

ORDERING INFORMATION

Example: LEDBHH4-50K

Model	Color Temperature	Luminaire Lumens	Luminaire Watts	Lumens Per Watt	ENERGY STAR®	Options (Order Separately)
LEDBHH4	3k = 3000k	500	10	50	YES	
	5K = 5000k	500	10	50	YES	
LEDBHH6	3k = 3000k	800	15	53	YES	
	5K = 5000k	800	15	53	YES	