

CATALOG NUMBER	TYPE
VT220, VT240, VT248, VT248HO, VT296, VT2240, VT296HO	Magnetic or electronic

EdsunLighting
 Fixture Manufacturing
 Hialeah, FL 33010

"VT"
 (Vapor Tite)

Enclosed Wet Location
 2', 4', 8', 8' Tandem

Housing: Rigid, one-piece (ASTM D635-74) reinforced polyester fiberglass, accepted by NSF and USDA. Robotically applied gasketing – 98% compression recovery, no seams, no porosity – forms moisture seal to diffuser. Celcon latches standard.

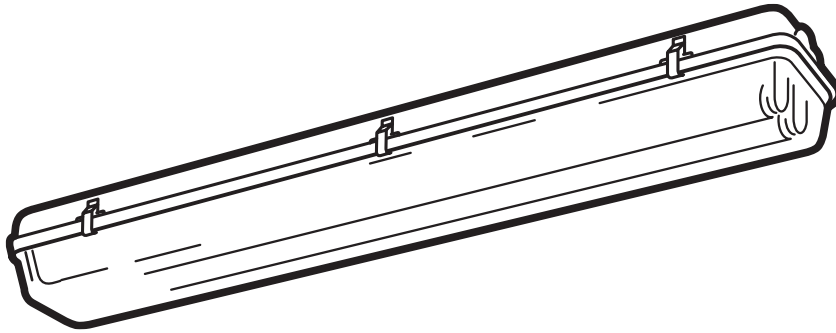
Shielding: D.R. acrylic diffuser or optional polycarbonate.

Options: Polycarbonate lens, stainless steel latches, low temperature ballast and wet location fittings. Damp location emergency ballast available.

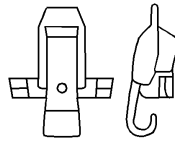
Electrical: Fully wired for 120V, 60Hz AC operation, thermally protected, automatic resetting, Class P, sound rated A, high-power factor ballast, unless otherwise specified. Slimline shall be sound rated C. High Output shall be sound rated B. Electronic T8 shall be instant start, <20% harmonic distortion standard, specify suffix UNV for <10% harmonic distortion. Specify suffix UNV for universal voltage, 120 through 277V, 50/60Hz AC operation, Electronic T8 only. UL listed, wet wall or ceiling mount.

Mounting: Surface or pendant mount, individual or continuous row. WET Fitting for use with water tight conduit, field installed. One each.

Critical Application: EDSUN strives to offer the most current product designs and value. Consequently, all Edsun products are subject to redesign and revision. Critical applications such as size, operating temperature, or sensor operation should be confirmed with the factory.



Ceiling or wall mounted applications



Celcon latches, standard

FEATURES AND BENEFITS	
Clear acrylic lens with DR; optional polycarbonate	• Sturdy, durable construction
Fully gasketed housing	• Provides a degree of resistance to corrosive atmospheres, non-hazardous dust environments and to water spray, splashing water or where hose downs frequently occur
Surface or pendant mount; individual, tandem or continuous row	• Flexible mounting options

ORDERING INFORMATION							Example: VT296HO
LENS	# LAMPS	LAMPS	OPTION	BALLAST	SPECIAL FEATURE	VOLTAGE	
VT - 15%** D.R. Crepe/ Stipple lens	1 - Single 2 - Double Tandem: Tandem, two lamps Tandem, four lamps	32 - 32W 48" T8 40 - 40W 48" T12 48 - 48" HO 96 - 96" Slimline 54-1-2)F54T2HO	EMG Battery Packs Two LP 2' - 8' Two LP 2' - 8' One LP 2' - 4' 1-2lamp 4'T5HO	- Electronic T8 HO - Electronic T8, cold weather 0F - Energy Saving Magnetic T12 HO-T8- High Output T8, +32F* HO-SLH- High Output T12, -20F* HO-LT - High Output, 800mA, -20F* 0 - Cold weather 0F	mounting SS - Stainless steel latch	120V 277V UNV - 120-277V UNV 120-277V	

*HO recommended for use in freezers and cold boxes where maximum temperatures for 4 ft HO < 20F, 8 ft HO-SLH < 40F, 4 ft and 8 ft HO-B11 < 40F.