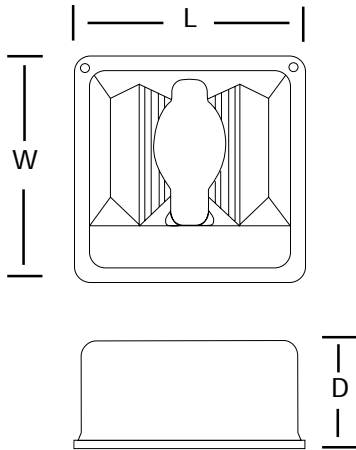


# SB Series Parking/Roadway Luminaire

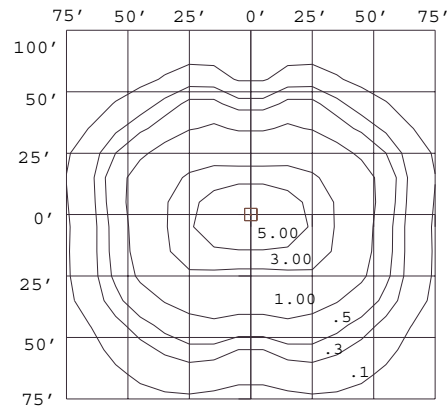
## SHOEBOX 16x16

Dimensions	Fixture Length	Fixture Width	Fixture Depth	Approx. Ship Wt.
SB Series	16.4"	16.4"	7.0"	33 LBS

55° C Ambient Rated



SB (16x16)



Isofootcandle plot of 400W MH Parking/Roadway luminaire at 30° vertical tilt.

### Housing

The sleek square, 16" die cast aluminum housing with flush door frame and rounded edges are standard with bronze, polyester powder top coat

### EPA Rating

Because of its unique design, lower EPA levels are obtained, resulting in lower pole costs.

### Optics

The 16" housings come standard with Type III asymmetric distribution. Ideally suited for roadway applications, parking areas or for building mounted security lighting.

### Lens

A clear, tempered glass lens is held securely in a die cast door frame.

### Ballast

All fixtures are standard with a high power factor multi-tap ballast (except 480V). Connected to 120V

### Lamps

16" size utilizes 70-400W mogul base lamps.

### Gasketing

Complete silicone gasketing around lens frame and at mounting provide a watertight seal.

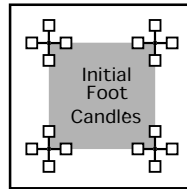
### Mounting Options

Square bracket or 2-3/8 slip fitting.

### Warranty

The SB Luminaire sold by Edsun Lighting, unless otherwise specified, will be warranted to be free of defects in materials and workmanship under normal use and service for a period of two (2) years from date of shipment, 175W-400W.

If found to be defective by us, we will replace the non-performing components.



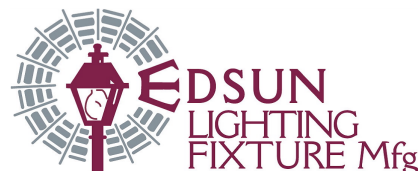
### Criteria:

SB Series Luminaire 0° vertical tilt.  
Mounting Height: 30'  
Wattage: 400W  
Mounting: 12" Extended Pole Mount  
Pole Spacing: 4 times mounting height

### Parking/Roadway Luminaire Pole Spacing Selection Guide

Lamp Type	Desired Mounting Height	Design Footcandles	Catalog Number
<b>Metal Halide</b>			
175W	12'	25.	SBMH175
400W	20'	16.	SBMH400
400W	25'	10.5	SBMH400
<b>High Pressure Sodium</b>			
250W	20'	13.3	SBHPS250
400W	25'	15.0	SBHPS400
400W	30'	10.2	SBHPS400

\* Initial footcandles assume 4 floodlights per pole.



Edsun Lighting Fixture Mfg. *Committed to quality!*

569 W 17 St., Hialeah, FL 33010-2412 Fax: 305-883-0005  
e-mail: edsunlighting@sprynet.com

TECHNICAL HOTLINE 1-305-888-8849