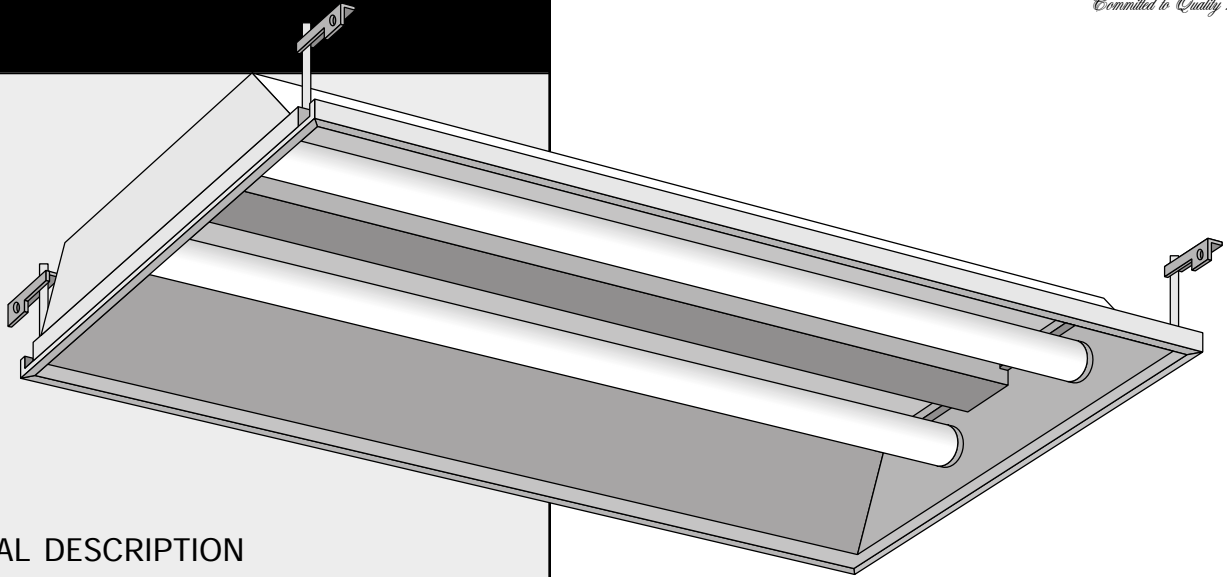


“LYF” Flanged LayIn



Committed to Quality!



GENERAL DESCRIPTION

A flanged troffer for use with prismatic lenses or celled louvers in concealed Z-bar ceilings. The body is the same shape for 2 x 2 and 2 x 4. The fixtures are U.L. listed as a recognized component.

SPECIFICATIONS

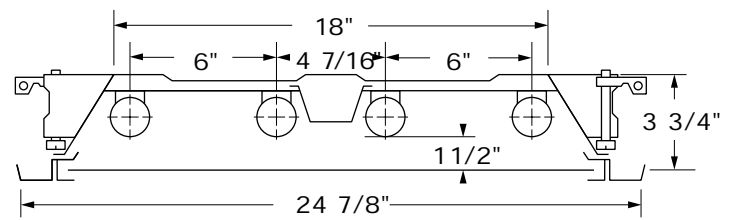
Housing: 3-3/4" deep. Die-formed standard gauge steel with rounded side flanges for safe handling. Embossed for maximum rigidity. Four corner tie points for safety wire supports.

Ends: Snap into housing and can be additionally secured with a #8 x 3/8" screw or 1/8" pop rivet with 1/8" to 3/16" grip. Same end fits 2 x 2 and 2 x 4.

End Trim: Extends over the ends and snaps into side flanges on housing.

Joiner: Connects and aligns ends of housings in continuous runs. Joiner overlaps ends and is mounted by bending tabs.

Socket Plates: Snap-in type. Available in 2, 3, 4 and U-lamp. Four-light and U-lamp are the same plate. Sockets are tilted forward to provide positive spring action contact with lamps. Same socket plates fit 2 x 2 and 2 x 4.



4-lamp model for use with T8 lamps only

