

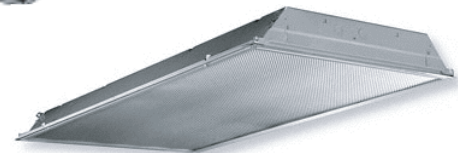
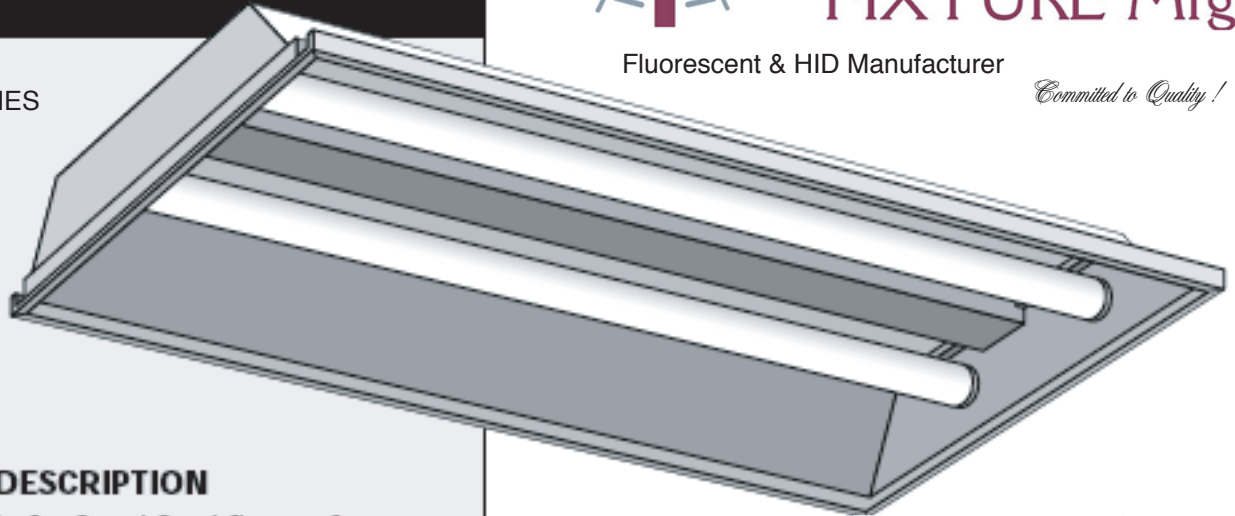
"LY" Standard Lay-in



Fluorescent & HID Manufacturer

Committed to Quality!

"LY" SERIES



GENERAL DESCRIPTION

Recessed lay-in 2 x 2 and 2 x 4 fixtures for use with prismatic lenses or celled louvers in exposed T-bar ceilings. The body is the same shape for 2 x 2 and 2 x 4. The fixtures are U.L. listed as a recognized component (U.L. # 107722).

SPECIFICATIONS

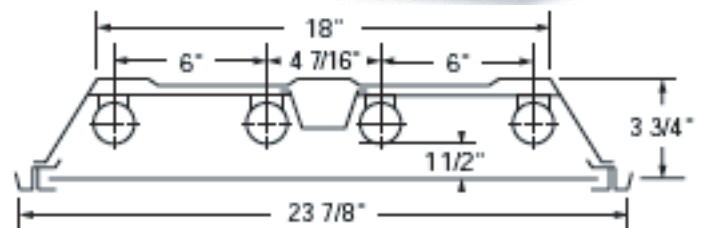
Housing: 3-3/4" deep. Die-formed standard or 16-gauge steel with rounded side flanges for safe handling. Embossed for maximum rigidity. Four corner tie points for safety wire supports.

Ends: Snap into housing and can be additionally secured with a #8 x 3/8" screw or 1/8" pop rivet with 1/8" to 3/16" grip. Same ends fit 2 x 2 and 2 x 4.

Socket Plates: Snap-in type. Available in 2, 3, 4 and U-lamp. Four-light and U-lamp are the same plate. Sockets are tilted forward to provide positive spring action contact with lamps. Same socket plates fit 2 x 2 and 2 x 4. (Slide-on low-profile front-loading sockets for use with 16-gauge steel recommended.)

Ballast Cover: Snaps in without tools for easy installation.

Access Plate: Snaps in for simple ballast lead hook up without removing door or ballast cover.



4-lamp model for use with T8 lamps only

