

Edsun

Lighting Fixture Mnfg.



EDSUN
LIGHTING
FIXTURE Mnfg

FLOODLIGHT

TM

FxL

Series



175 to 400 watts MH | HPS | PS

FEATURES

- Die Cast Aluminum Housing
- Suitable for Ground Mounting
- Hinged Face Frame
- Tempered Glass Lens
- Lamp Included

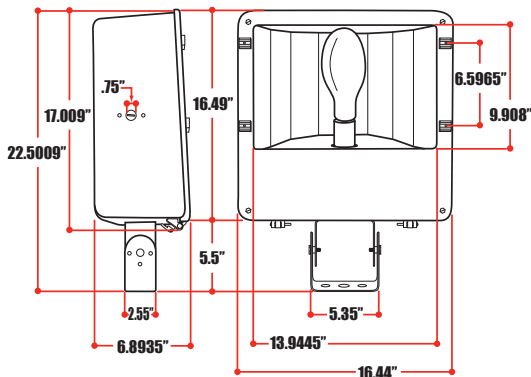
ORDERING INFORMATION

Catalog #	Description	Volts	Ballast Type	Lamp
METAL HALIDE				
FXLMH175MTMOG	175 watt MH	Quad V	CWA	MH175/U
FXLMH250MTMOG	250 watt MH	Quad V	CWA	MH250/U
FXLMH400MTMOG	400 watt MH	Quad V	CWA	MH400/U
HIGH PRESSURE SODIUM				
FXLHPS250MTMOG	250 watt HPS	Quad V	CWA	C250S50
FXLHPS400MTMOG	400 watt HPS	Quad V	CWA	C400S51

480V Available Upon Request | For Slipfitter Add Suffix "SLIP" |

DIMENSIONS

Approx. Weight: 35 lbs.

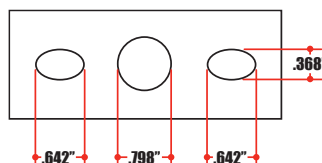


EPA Rating: 1.9

ACCESSORIES (FIELD INSTALLED)

#	Description	Finish	Std. Pkg.
	Glare Shield for FLL	Bronze	1
	Wireguard for FLL		1
	Baffle for FLL	Bronze	1
	Slipfitter for FLL with Cord	Bronze	1
	FXL Vandal Proof Assembly	Bronze	1

MOUNTING DETAIL



PHOTOMETRICS

400W MH @ 25' Mounting Height
and Aimed 45° below horizontal
Isofootcandles

