

FEATURES

- Die Cast Aluminum Housing
- 1/2" Threaded Knuckle
- Vertical or Horizontal Lamp
- Suitable for Ground Mounting
- Hinged Face Frame
- Tempered Glass Lens
- Lamp Included



Listed for Wet Locations

70 to 175 watts MH | HPS

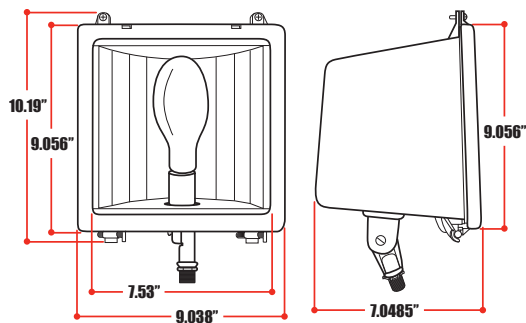
ORDERING INFORMATION

Catalog #	Description	Volts	Ballast Type	Lamp
METAL HALIDE				
FMDMH70MTMED	70 watt MH	Quad V	CWA	MH70/U/M
FMDMH100MTMED	100 watt MH	Quad V	CWA	MH100/U/M
FMDMH175MTMED	175 watt MH	Quad V	CWA	MH175/U/M
HIGH PRESSURE SODIUM				
FMDHPS70MED	70 watt HPS	120 V	CWA	C70S62/M
FMDHPS70MTMED	70 watt HPS	Quad V	CWA	C70S62/M
FMDHPS100MED	100 watt HPS	120 V	CWA	C100S54/M
FMDHPS100MTMED	100 watt HPS	Quad V	CWA	C100S54/M
FMDHPS150MED	150 watt HPS	120 V	CWA	C150S55/M
FMDHPS150MTMED	150 watt HPS	Quad V	CWA	C150S55/M

Call for Mercury Vapor and Compact Fluorescents

DIMENSIONS

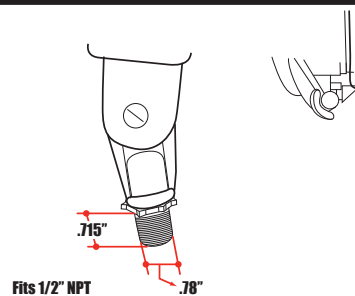
Approx. Weight: 17 lbs.



ACCESSORIES (FIELD INSTALLED)

Catalog #	Description	Finish	Std. Pkg.	See Pg.#
	FMD Face Frame Assembly	Bronze	1	
	Glare Shield for FMD	Bronze	1	
	Wireguard for FMD		1	

MOUNTING DETAIL



PHOTOMETRICS

175W MH @ 15' Mounting Height
and Aimed 45° below horizontal
Isofootcandles

