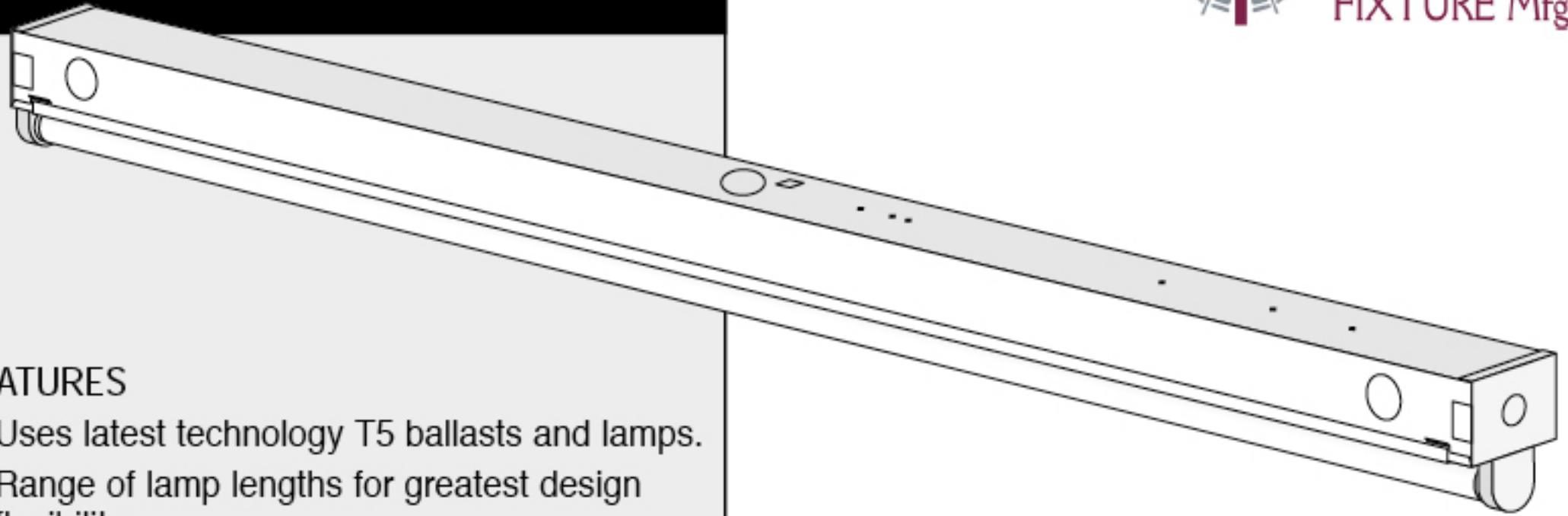


# "CT5" Low-Profile Knockdown Strip

Edsun Lighting Fixture Mnfg.

569 W 17 St  
Hialeah, FL 33010

*Committed to Quality!*



## FEATURES

- Uses latest technology T5 ballasts and lamps.
- Range of lamp lengths for greatest design flexibility.
- Ideal for most fluorescent lighting applications, including general illumination, cove lighting and display cases.
- Designed for ceiling mount, wall mount or chain hanging.
- Uses efficient T5 lamps or H.O. lamps for up to 70% more light output.
- Versatile CT5 and CST5 models allow 1-, 2- and 3-lamp configurations.
- Knockouts provided for convenience outlet and pull-switch.

## SPECIFICATIONS

Construction: Die-formed 21-gauge cold rolled steel. All close-tolerance snap-fit construction. Numerous KOs for ease of installation and configuration. End plates available with 7/8" KOs for continuous mounting.

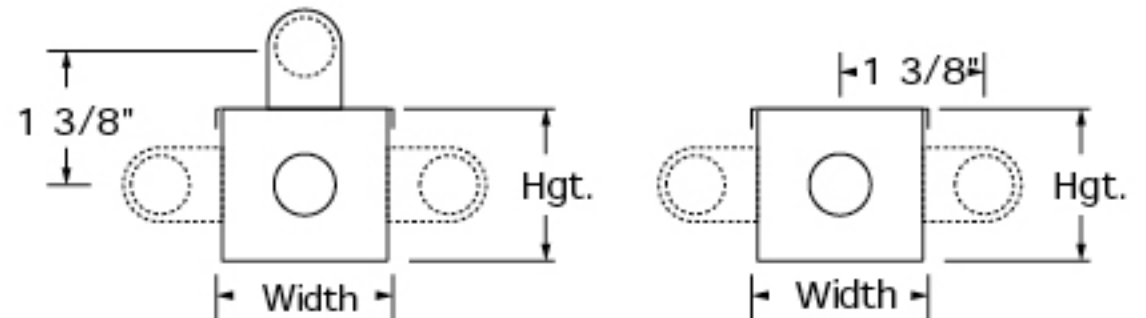
Channel/Wireway Cover:

#8 x 5/16 sheet metal screws. Secures with two (2)

Mounting: Fixtures designed with 1/8" standoffs (see side view drawing) for surface mounting as individual units or in continuous rows.

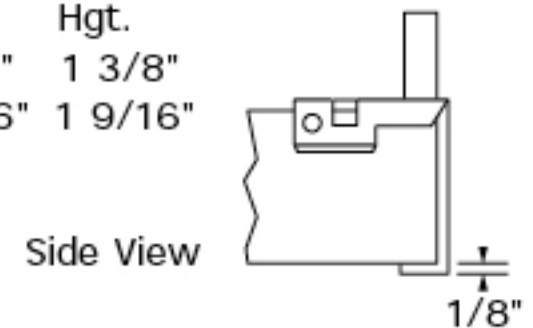
Finish:

Highly reflective baked white enamel. Four-stage phosphate pre-wash ensures maximum bonding, durability and rust prevention.



CT5 Lamp Configurations CST Lamp Configuration

	Width	Hgt.
Body Only:	1 5/8"	1 3/8"
W/End & Cover:	1 13/16"	1 9/16"



## ORDERING INFORMATION

Model#	Lamp Config.	Length
CT5-14or24HO	1, 2 or 3	22"
CT5-21or39HO	1, 2 or 3	34"
CT5-28or54HO	1, 2 or 3	46"
CT5-35or80HO	1, 2 or 3	58"
CST51or2-14or24HO	1 or 2	22"
CST51or2-21or39HO	1 or 2	34"
CST51or2-28or54HO	1 or 2	46"
CST51or2-35or80HO	1 or	58"

7/8" KO, on end cap

## NOTES

Optional micro-perforated reflectors available in a range of styles for contemporary soft-lighting effects.

Dimensions subject to change without notice.