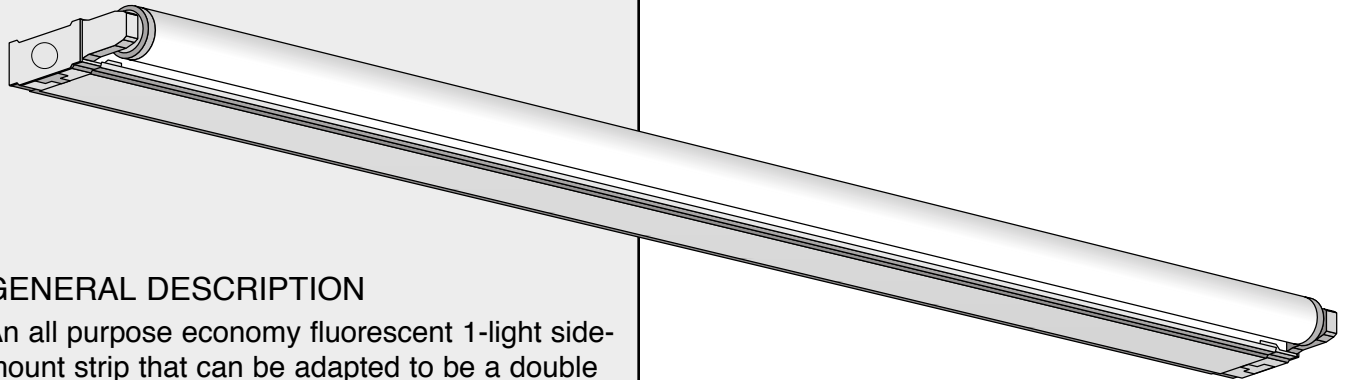


"CS" Sidemount Strip



GENERAL DESCRIPTION

An all purpose economy fluorescent 1-light side-mount strip that can be adapted to be a double sidemount, right angle or 3-light strip. All fixture parts snap together for ease of installation and maintenance. U.L. listed.

SPECIFICATIONS

Housing: Die-formed 21-gauge cold rolled steel. Fixture can be converted to double sidemount by removing socket tabs. Accepts slide-on or screw-on sockets. Side knockouts included for a convenience outlet, pull switch and conduit.

Cover: Snap-on type to simplify installation. Two covers are used for tandem.

Ends and Socket Plates: Snap in for ease of assembly. Knockout tab for screw-on socket can be removed to make a right angle fixture.

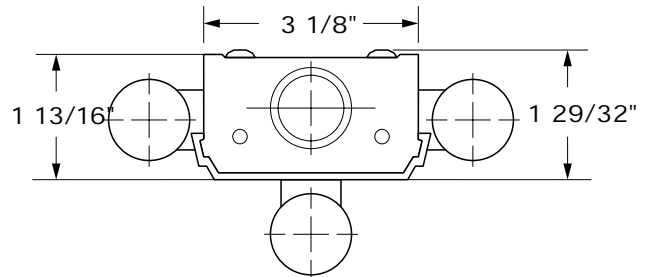
Coupler: Used to join bodies together and as a center socket plate on tandem fixtures.

Finish: Phosphate coated, baked white enamel with 85% reflectivity.

Mounting: Units are designed for surface, chain and stem hanging. Can be installed as individual units or in continuous rows.

Available with Electronic ballasts

CS1or217 (24") single or double sidemount
 CS1or225 (36") single or double sidemount
 CS1or232 (48") single or double sidemount
 120V, 277V, UNV(120-277V,50/60hz)



End View: "CS" Sidemount Series

ORDERING INFORMATION

Catalog No.	Lamps	Length
CS1or214	1	15"
CS1or215	1 or 2	18"
CS1or220	1, 2 or 3	24"
CS1or230	1, 2 or 3	36"
CS1or240	1, 2 or 3	48"

NOTES AVAILABLE WITH ELECTRONIC BALLASTS

Dimensions subject to change without notice.
 569 W 17 St., Hialeah, FL 33010-2412 Ph: 305-888-8849 • Fax:305-883-0005
 e-mail:edsunlighting@sprynet.com