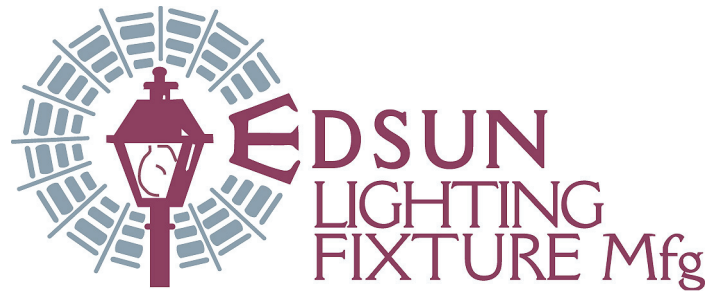
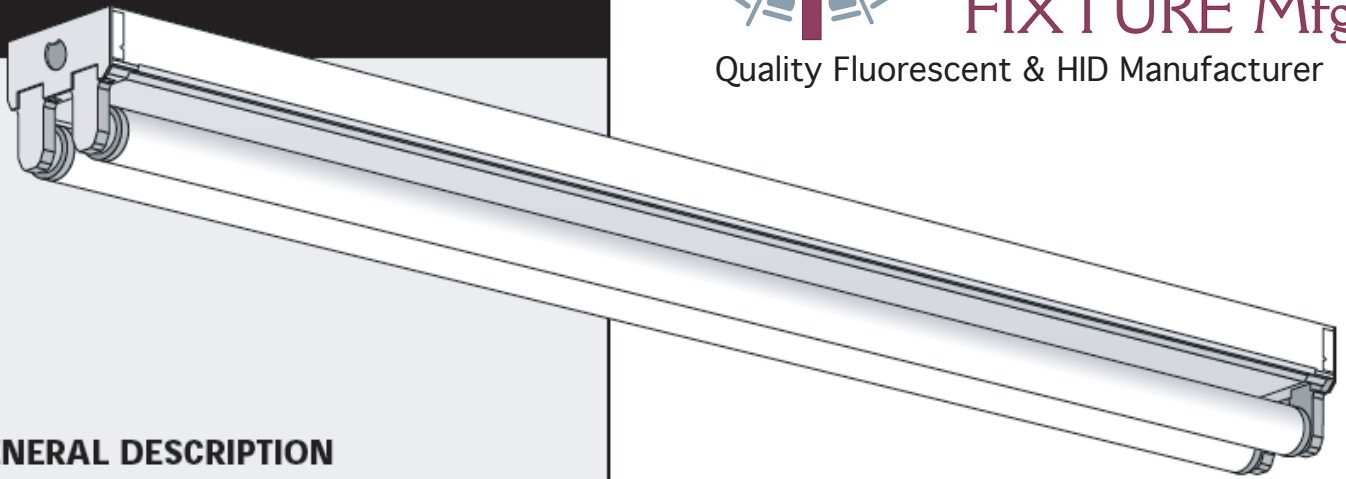


# “C” 2 LIGHT Strip



Quality Fluorescent & HID Manufacturer



## GENERAL DESCRIPTION

An all-purpose 1- or 2-light economy strip for a wide range of bi-pin and slimline fluorescent lighting applications. All fixture parts snap together for ease of installation and maintenance. Side knockouts are included for convenience outlet, switch and conduit. Chain hanger slots are provided on the sides and back.

## SPECIFICATIONS

**Housing:** Die-formed 21-gauge cold rolled steel.

**Cover:** Snap-on type; fabricated in two sections for 72" and 96" bodies to simplify installation. Same cover can be used for shallow or deep fixtures.

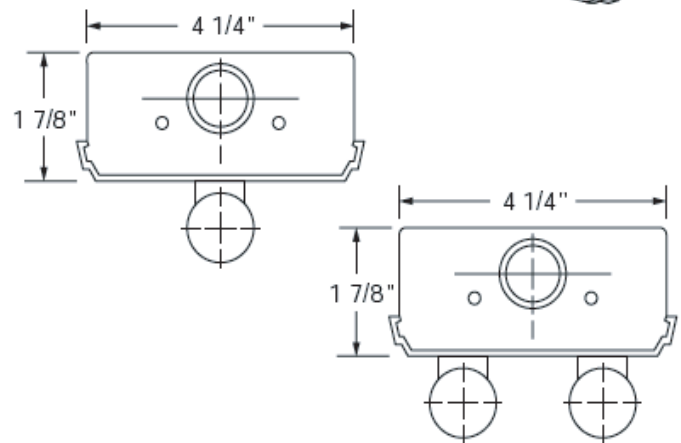
**Ends and Socket Plates:** Snap-in type. Ends also function as couplers for continuous row installations.

**Finish:** Phosphate coating-baked white enamel with 85% reflectivity.

**Mounting:** Fixtures designed for surface, stem, or chain hanging. Can be installed as individual units or in continuous rows.

## NOTES

Dimensions subject to change without notice.



End Views:

2-Light Models

## ORDERING INFORMATION

Catalog No.	Lamps	Length	Type
T8			
C217	2-T8	24"	Electronic
C225	2-T8	36"	Electronic
C232	2-T8	48"	Electronic
C296T8	2-T8	96"	Electronic
C2225	4F25T8	72"	Electronic Tandem
C2232	4F32T8	96"	Electronic Tandem
T5			
C214T5or24T5HO	2-F14T5/F24T5HO	24"	Electronic
C221T5or39T5HO	2-F22T5/F39T5HO	36"	Electronic
C228T5or54T5HO	2-F28T5/F54T5HO	48"	Electronic
C2221T5/39T5HO	4-F22T5/F39T5HO	72"	Electronic Tandem
C2228T5/54T5HO	4-F28T5/F54T5HO	96"	Electronic Tandem
T12			
C220	2-T12	24"	Magnetic
C230	2-T12	36"	Magnetic
C240	2-T12	48"	Magnetic
C272	2-T12	72"	Magnetic
C296	2-T12	96"	Magnetic
C2230	4-F30T12	72"	Magnetic Tandem
C2240	4-F40T12	96"	Magnetic Tandem